



PRODUCT SPECIFICATION

PRODUCT: MULTILAYER CERAMIC CAPACITOR

TYPE: RADIAL-LEADED TYPE CAPACITOR

CUSTOMER: _____

DOC. NO.: D13-00-E-12

Ver.: 12

APPROVED BY CUSTOMER

Empty box for customer approval signature.

VENDOR :

WALSIN TECHNOLOGY CORPORATION

566-1, KAO SHI ROAD, YANG-MEI
TAO-YUAN, TAIWAN

PAN OVERSEAS (GUANGZHOU) ELECTRONIC CO.,LTD.

NO.277,HONG MING ROAD,EASTERN SECTION,
GUANG ZHOU ECONOMIC AND TECHNOLOGY
DEVELOPMENT ZONE,CHINA



MAKER : PAN OVERSEAS (GUANGZHOU) ELECTRONIC CO.,LTD.

NO.277,HONG MING ROAD,EASTERN SECTION,
GUANG ZHOU ECONOMIC AND TECHNOLOGY
DEVELOPMENT ZONE,CHINA



Record of change

Date	Version	Description	page
2009.6.24	3	1. Add voltage code in Marking.	14
2009.8.17	4	1. Change PSA & POE logo to Walsin & POE logo.	all
2012/5/31	5	1. Review the capacitance range.	13~14
2012/11/20	6	1. Add "Table of contents". 2. Review the body size W/H/T according to the chip size. 3. Review the contents of description. 4. Correct the size of P1 for type RD20.	3 4 11 13
2013/5/6	7	1. Review the Lead diameter ϕ from $0.55\pm 0.05\text{mm}$ to $0.5\pm 0.05\text{mm}$ 2. Add "H1 max" to lead configuration and size form. 3. Review the Solderability temperature from $235\pm 5^{\circ}\text{C}$ to $245\pm 5^{\circ}\text{C}$.,Solderability time from $2\pm 0.5\text{s}$ to $5\pm 0.5\text{s}$ "	4,12,13 4 8
2014/8/8	8	1. Review the item 8 from "Storing condition and term" to be "Operating and storage environment" 2. Delete the 1206size for RD20 type. 3. Delete the 500V ~630V type of 0805 size. 4. Review the D.F. spec according to MLCC spec of Walsin.	11 4 14 6,8,9,10
2015/11/24	9	1. Review the Part number defining. 2. Add the 1812 size for the D.F. spec according to MLCC spec of Walsin. 3. Review the Packing quantity. 4. Add voltage code in Marking for 2000V&3000V.	4 6,8,9,10 14 15
2016/9/19	10	1. Review the Part number defining. 2. Review the Size code and capacitance (pF) available	4 15~17
2017/3/23	11	1. Delete the C Tolerance Code 2. Review the Packing specification	4 15
2017/7/7	12	1. Review the Part number defining 2. Complete Marking statement(Add 2-figure code Marking)	4 18

1. Scope:

Its specification applies to Radial Series Ceramic Capacitor.

2. Part number defining (SAP):

RD21	B				102	K	500	B	5	C	07	B
Product Type	Dielectric Code				Capacitance Code	Tolerance Code	Rated Voltage	Packaging Code	Chip Size	Termination	Lead length	Lead length Tolerance
RD20	Code	T.C.	Operating Temperature	Capacitance Change(Δ °C)	100=10 pF 102=1000 pF	D= \pm 0.5pF J= \pm 5 %	100=10V 250=25V	B=Bulk	5=0805	L=Ag/Ni/Sn	Tapping: AN=Ammo	D=Tapping
RD21	N	NPO	-55 ~ +125 °C	0 \pm 30(PPM/°C)	103=10000 pF	K= \pm 10 %	500=50V 101=100V	A=Ammo	6=1206	C=Cu/Ni/Sn	Bulk (ex):	A= \pm 0.5mm
RD30	B	X7R	-55 ~ +125 °C	\pm 15%	1R5=1.5 pF 101=100 pF 472=4700 pF	M= \pm 20 % Z= \pm 80 % /-20%	201=200V 251=250V 501=500V 631=630V		0=1210 2=1812 8=1808	A=Ag/Ni/Sn Halogen free H=Cu/Ni/Sn Halogen free	07=7.0 mm	B= \pm 1mm C=Min
	F	Y5V	-25 ~ +85 °C	+30% ~ -80%	104=100000 pF		102=1000V 202=2000V 302=3000V					

* Remark about tolerance code:

NPO: Cap<10pF: D tolerance / Cap \geq 10pF: J, K, M, Z, X7R: K、M, Y5V: M、Z

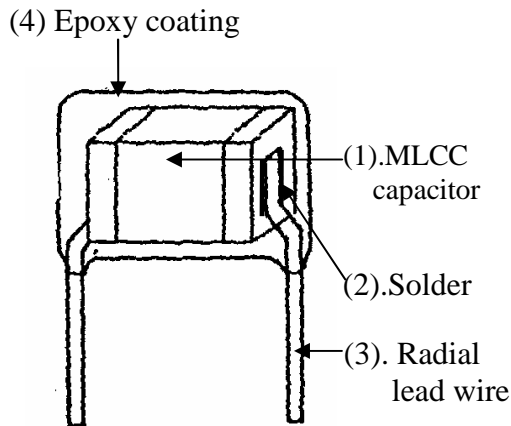
3. Lead configuration and size: (Unit: mm)

Type Code	Chip size	Dimensions (Unit:mm)					Lead spacing(F)		Lead Configuration
		Width (W)Max.	Height (Max.)		Thickness (T)Max.	Lead length (L)	Taping	Bulk	
			h	h1					
RD20	0805	5.0	4.5	6.0	3.5	Refer to the item "2. SAP Part Number"	2.5 \pm 0.8	2.54 \pm 1.0	
RD21	0805	5.0	4.5	6.5	3.5		5.0 \pm 0.8	5.08 \pm 1.0	
	1206 (Special size)	6.5	5.0	7.0	4.0				
	1210 (Special size)	6.5	5.5	7.5	5.0				
RD30	1808	8.0	6.0	7.5	5.5	5.0 \pm 0.8	5.08 \pm 1.0		
	1812	8.0	6.5	8.0	5.5				

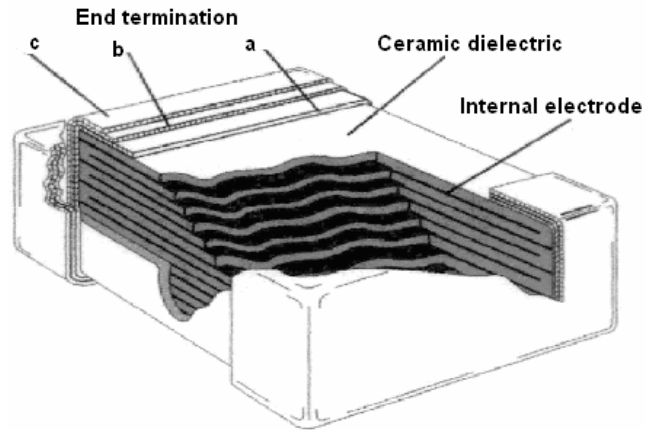
* Lead diameter Φ d: 0.55 \pm 0.05mm

4. Product structure:

Radial capacitor



(1). MLCC capacitor



NO	Part name	Material	
(1)	MLCC capacitor	Ceramic dielectric	
		Internal Electrode	Ag-Pd or Ni (BME)
		End Termination	Ag or Cu (BME) layer
			Ni layer
(2)	Solder	Tin-silver	
(3)	Radial Lead Wire	Tined CP wire	
(4)	Coating	Epoxy resin(Blue)	

5. Specification and test method :

5.1 Test conditions:

Tests shall, unless otherwise specified, be carried out at 15 to 35°C and RH 45 to 75%.

If any doubt and argument has been encounter in judgement, the final test shall be done at 25±2°C, RH45 to 55% and 860~1060mbar. (Based on JIS standard)

5.2 Handle procedure:

To avoid unexpected testing results from occurring, the tested capacitor must be kept at room temperature for at least 30 minutes and completely discharged.

5.3 Performance:

No.	Item	Performance	Test or inspection method																																																			
(1)	Appearance structure size	No defects which may affect performance.	As section 3																																																			
(2)	Withstand Voltage	Withstand test voltage without Insulation breakdown or other damage.	DC Tested voltage shall be applied for 1~5sec. Charge/discharge current shall not exceed 50 mA . <table border="1" style="margin-top: 10px;"> <thead> <tr> <th>Rated Voltage</th> <th>Tested Voltage</th> </tr> </thead> <tbody> <tr> <td><100V</td> <td>2.5Ra</td> </tr> <tr> <td>100V</td> <td>3.0Ra</td> </tr> <tr> <td>200~300V</td> <td>2.0 Ra</td> </tr> <tr> <td>500~999V</td> <td>1.5 Ra</td> </tr> <tr> <td>1000~3000V</td> <td>1.2 Ra</td> </tr> </tbody> </table>	Rated Voltage	Tested Voltage	<100V	2.5Ra	100V	3.0Ra	200~300V	2.0 Ra	500~999V	1.5 Ra	1000~3000V	1.2 Ra																																							
Rated Voltage	Tested Voltage																																																					
<100V	2.5Ra																																																					
100V	3.0Ra																																																					
200~300V	2.0 Ra																																																					
500~999V	1.5 Ra																																																					
1000~3000V	1.2 Ra																																																					
(3)	Insulation resistance	NPO: $10,000M\Omega$ Min. or $500\Omega \cdot F$ Min X7R、Y5V: $10G\Omega$ Min or $R \cdot C \geq 500\Omega \cdot F$ (Whichever is smaller)	Insulation resistance shall be measured at 120 ± 5 seconds after rated voltage applied. <table border="1" style="margin-top: 10px;"> <thead> <tr> <th>Rated Voltage</th> <th>Tested Voltage</th> </tr> </thead> <tbody> <tr> <td><500V</td> <td>1.0 Ra</td> </tr> <tr> <td>$\geq 500V$</td> <td>500V</td> </tr> </tbody> </table>	Rated Voltage	Tested Voltage	<500V	1.0 Ra	$\geq 500V$	500V																																													
Rated Voltage	Tested Voltage																																																					
<500V	1.0 Ra																																																					
$\geq 500V$	500V																																																					
(4)	Capacitance	Within the specified tolerance.	Measuring frequency & voltage: NPO : $> 1000pF$: $1KHz\pm 10\%$ 1.0 ± 0.2 Vrms $\leq 1000pF$: $1MHz\pm 10\%$ 1.0 ± 0.2 Vrms X7R、Y5V : $C \leq 10\mu F$ 1.0 ± 0.2 Vrms $1KHz\pm 10\%$ $C > 10 \mu F$ 0.5 ± 0.2 Vrms $120Hz\pm 20\%$																																																			
(5)	Dissipation Factor	<table border="1" style="width: 100%;"> <thead> <tr> <th colspan="2">NPO</th> <th colspan="2">Special chip size and capacitance</th> </tr> </thead> <tbody> <tr> <td colspan="2">More than 30pF: $Q \geq 1000$</td> <td colspan="2"></td> </tr> <tr> <td colspan="2">Less than 30pF: $Q \geq 400+20C$</td> <td colspan="2"></td> </tr> <tr> <th rowspan="3">X7R</th> <th>Rated vol.</th> <th>DF \leq</th> <th></th> </tr> <tr> <td rowspan="2">$\geq 100V$</td> <td>$\leq 2.5\%$</td> <td></td> </tr> <tr> <td>$\leq 3\%$</td> <td>1206 $\geq 0.47\mu F$</td> </tr> <tr> <td rowspan="3">50V</td> <td>$\leq 5\%$</td> <td>0805 $> 0.1\mu F$, 1206 $> 1\mu F$</td> </tr> <tr> <td>$\leq 2.5\%$</td> <td></td> </tr> <tr> <td>$\leq 3\%$</td> <td>0805 $\geq 0.18\mu F$, 1206 $\geq 0.47\mu F$</td> </tr> <tr> <td rowspan="3">Y5V</td> <td rowspan="2">$\geq 50V$</td> <td>$\leq 5\%$</td> <td></td> </tr> <tr> <td>$\leq 7\%$</td> <td>0805 $\geq 0.47\mu F$, 1206 $\geq 4.7\mu F$</td> </tr> <tr> <td rowspan="3">25V</td> <td>$\leq 5\%$</td> <td></td> </tr> <tr> <td>$\leq 7\%$</td> <td>0805 $\geq 0.33\mu F$, 1206 $\geq 1\mu F$, 1210 $\geq 4.7\mu F$</td> </tr> <tr> <td>$\leq 9\%$</td> <td>1206 $\geq 4.7\mu F$, 1210 $\geq 22\mu F$</td> </tr> <tr> <td>16V (C<1.0μF)</td> <td>$\leq 7\%$</td> <td></td> </tr> <tr> <td rowspan="2">16V (C$\geq 1.0\mu F$)</td> <td>$\leq 9\%$</td> <td></td> </tr> <tr> <td>$\leq 12.5\%$</td> <td>0805 $\geq 3.3\mu F$; 1206 $\geq 10\mu F$; 1210 $\geq 22\mu F$; 1812 $\geq 47\mu F$</td> </tr> <tr> <td>10V</td> <td>$\leq 12.5\%$</td> <td></td> </tr> </tbody> </table>		NPO		Special chip size and capacitance		More than 30pF: $Q \geq 1000$				Less than 30pF: $Q \geq 400+20C$				X7R	Rated vol.	DF \leq		$\geq 100V$	$\leq 2.5\%$		$\leq 3\%$	1206 $\geq 0.47\mu F$	50V	$\leq 5\%$	0805 $> 0.1\mu F$, 1206 $> 1\mu F$	$\leq 2.5\%$		$\leq 3\%$	0805 $\geq 0.18\mu F$, 1206 $\geq 0.47\mu F$	Y5V	$\geq 50V$	$\leq 5\%$		$\leq 7\%$	0805 $\geq 0.47\mu F$, 1206 $\geq 4.7\mu F$	25V	$\leq 5\%$		$\leq 7\%$	0805 $\geq 0.33\mu F$, 1206 $\geq 1\mu F$, 1210 $\geq 4.7\mu F$	$\leq 9\%$	1206 $\geq 4.7\mu F$, 1210 $\geq 22\mu F$	16V (C<1.0 μF)	$\leq 7\%$		16V (C $\geq 1.0\mu F$)	$\leq 9\%$		$\leq 12.5\%$	0805 $\geq 3.3\mu F$; 1206 $\geq 10\mu F$; 1210 $\geq 22\mu F$; 1812 $\geq 47\mu F$	10V	$\leq 12.5\%$
NPO		Special chip size and capacitance																																																				
More than 30pF: $Q \geq 1000$																																																						
Less than 30pF: $Q \geq 400+20C$																																																						
X7R	Rated vol.	DF \leq																																																				
	$\geq 100V$	$\leq 2.5\%$																																																				
		$\leq 3\%$	1206 $\geq 0.47\mu F$																																																			
50V	$\leq 5\%$	0805 $> 0.1\mu F$, 1206 $> 1\mu F$																																																				
	$\leq 2.5\%$																																																					
	$\leq 3\%$	0805 $\geq 0.18\mu F$, 1206 $\geq 0.47\mu F$																																																				
Y5V	$\geq 50V$	$\leq 5\%$																																																				
		$\leq 7\%$	0805 $\geq 0.47\mu F$, 1206 $\geq 4.7\mu F$																																																			
	25V	$\leq 5\%$																																																				
$\leq 7\%$		0805 $\geq 0.33\mu F$, 1206 $\geq 1\mu F$, 1210 $\geq 4.7\mu F$																																																				
$\leq 9\%$		1206 $\geq 4.7\mu F$, 1210 $\geq 22\mu F$																																																				
16V (C<1.0 μF)	$\leq 7\%$																																																					
16V (C $\geq 1.0\mu F$)	$\leq 9\%$																																																					
	$\leq 12.5\%$	0805 $\geq 3.3\mu F$; 1206 $\geq 10\mu F$; 1210 $\geq 22\mu F$; 1812 $\geq 47\mu F$																																																				
10V	$\leq 12.5\%$																																																					

No.	Item	Performance			Test or inspection method	
(6)	Temperature Characteristic of Capacitance	Temperatures Coefficient			The temperature coefficient is determined using the capacitance measured at base temperature as a reference. Test the specimen in a range of maximum and minimum operation temperature that shown as left table. * Base Temp $25 \pm 2^\circ\text{C}$ * Base Temp for Y5V: $20 \pm 2^\circ\text{C}$	
		T.C.	Operating Temperature	Capacitance Change (ΔC)		
		NPO	-55~+125 $^\circ\text{C}$	$0 \pm 30(\text{ppm}/^\circ\text{C})$		
		X7R	-55~+125 $^\circ\text{C}$	$\pm 15\%$	Step	Temperature($^\circ\text{C}$)
		Y5V	-25~+85 $^\circ\text{C}$	+30%~ -80%	1	Base Temp.(25 $^\circ\text{C}$) $\pm 2^\circ\text{C}$
					2	Min. Operation Temp. $\pm 2^\circ\text{C}$
					3	Base Temp.(25 $^\circ\text{C}$) $\pm 2^\circ\text{C}$
			4	Max. Operation Temp. $\pm 2^\circ\text{C}$		
			5	Base Temp.(25 $^\circ\text{C}$) $\pm 2^\circ\text{C}$		
(7)	Terminal strength	Tensile strength: No breakdown			Loading weight 0.5 Kgs is applied for 10 ± 1 seconds	
		Bending strength: No breakdown			Loading weight 0.25 Kgs is applied Bending back and forth 90 degrees twice	
(8)	Soldering heat resistance	External appearance	No mechanical damage.		Lead wire or terminals shall be immersed (A) up to 2.0 mm from body (B) into the Molten solder of which temperature is $260 \pm 5 - 0^\circ\text{C}$ for 3 ± 0.5 sec. Then leave at standard test conditions for 24 ± 2 hours, then measured. *Preconditioning : (only for Class 2): Perform a heat treatment at $150 \pm 0/-10^\circ\text{C}$ for one hour and then let sit for 48 ± 4 hours at room temperature.	
		Cap. change ($\Delta C/C$)	NPO	$\pm 2.5\%$ or $\pm 0.25 \text{ pF max.}$ Whichever is larger		
			X7R	$\pm 7.5\%$		
			Y5V	$\pm 20\%$		
	D.F.	To meet initial standard value				
	I.R.	To meet initial standard value				

No.	Item	Performance		Test or inspection method																																												
(9)	Solderability	Lead wire shall be soldered over 75% of the circumfluent direction		To comply with JIS-C-5102 8.4 , the soldering temperature is 245±5°C and dipping time is 5±0.5 seconds. Flux: weight ratio of Rosin 25%																																												
(10)	Humidity (Steady state)	External appearance	No mechanical damage.	Humidity (Steady state): At temperature 40±2 °C and humidity 90 to 95%RH for 500 + 24/ - 0 hours. Leave the capacitors in ambient condition for the following time before measurement. Class 1 : 24±2 hours. Class 2 : 48±4 hours. * Charge / discharge current shall. not exceed 50 mA. * Preconditioning : (only for Class 2): Apply the rated DC voltage for 1hour at 150 ±5°C. Remove and let sit for 48±4 hours at room temperature. Perform initial measurement.																																												
		Cap. change (ΔC/C)	NPO: ± 5% or ±0.5 pFmax. (Whichever is larger) X7R: ±12.5% Y5V: ±30%																																													
		D.F.:																																														
		NPO: C ≥ 30pF: D.F. ≤ $\frac{1}{350}$ 10pF ≤ C < 30pF: D.F. ≤ $\frac{1}{275+2.5 * C}$ C < 10pF: D.F. ≤ $\frac{1}{200+10 * C}$ PS: C: Nominal Capacitance (pF)																																														
		<table border="1"> <thead> <tr> <th></th> <th>Rated vol.</th> <th>DF ≤</th> <th>Special chip size and capacitance</th> </tr> </thead> <tbody> <tr> <td rowspan="6">X7R</td> <td rowspan="3">≥ 100V</td> <td>≤ 3%</td> <td></td> </tr> <tr> <td>≤ 6%</td> <td>1206 ≥ 0.47uF</td> </tr> <tr> <td>≤ 7.5%</td> <td>0805 > 0.1μF, 1206 > 1μF</td> </tr> <tr> <td rowspan="3">50V</td> <td>≤ 3%</td> <td></td> </tr> <tr> <td>≤ 6%</td> <td>0805 ≥ 0.18μF, 1206 ≥ 0.47μF</td> </tr> <tr> <td>≤ 10%</td> <td>1210 ≥ 4.7μF</td> </tr> <tr> <td></td> <td>≤ 20%</td> <td>0805 ≥ 1μF, 1206 ≥ 2.2μF, 1210 ≥ 10μF</td> </tr> <tr> <td rowspan="8">Y5V</td> <td rowspan="2">≥ 50V</td> <td>≤ 7.5%</td> <td></td> </tr> <tr> <td>≤ 10%</td> <td>0805 ≥ 0.47μF, 1206 ≥ 4.7μF</td> </tr> <tr> <td rowspan="3">25V</td> <td>≤ 7.5%</td> <td></td> </tr> <tr> <td>≤ 10%</td> <td>0805 ≥ 0.33μF, 1206 ≥ 1μF, 1210 ≥ 4.7μF</td> </tr> <tr> <td>≤ 15%</td> <td>1206 ≥ 4.7μF, 1210 ≥ 22μF</td> </tr> <tr> <td>16V (C < 1.0μF)</td> <td>≤ 10%</td> <td></td> </tr> <tr> <td rowspan="2">16V (C ≥ 1.0μF)</td> <td>≤ 12.5%</td> <td></td> </tr> <tr> <td>≤ 20%</td> <td>0805 ≥ 3.3μF; 1206 ≥ 10μF; 1210 ≥ 22μF; 1812 ≥ 47μF;</td> </tr> <tr> <td>10V</td> <td>≤ 20%</td> <td></td> </tr> </tbody> </table>		Rated vol.	DF ≤	Special chip size and capacitance	X7R	≥ 100V	≤ 3%		≤ 6%	1206 ≥ 0.47uF	≤ 7.5%	0805 > 0.1μF, 1206 > 1μF	50V	≤ 3%		≤ 6%	0805 ≥ 0.18μF, 1206 ≥ 0.47μF	≤ 10%	1210 ≥ 4.7μF		≤ 20%	0805 ≥ 1μF, 1206 ≥ 2.2μF, 1210 ≥ 10μF	Y5V	≥ 50V	≤ 7.5%		≤ 10%	0805 ≥ 0.47μF, 1206 ≥ 4.7μF	25V	≤ 7.5%		≤ 10%	0805 ≥ 0.33μF, 1206 ≥ 1μF, 1210 ≥ 4.7μF	≤ 15%	1206 ≥ 4.7μF, 1210 ≥ 22μF	16V (C < 1.0μF)	≤ 10%		16V (C ≥ 1.0μF)	≤ 12.5%		≤ 20%	0805 ≥ 3.3μF; 1206 ≥ 10μF; 1210 ≥ 22μF; 1812 ≥ 47μF;	10V	≤ 20%	
	Rated vol.	DF ≤	Special chip size and capacitance																																													
X7R	≥ 100V	≤ 3%																																														
		≤ 6%	1206 ≥ 0.47uF																																													
		≤ 7.5%	0805 > 0.1μF, 1206 > 1μF																																													
	50V	≤ 3%																																														
		≤ 6%	0805 ≥ 0.18μF, 1206 ≥ 0.47μF																																													
		≤ 10%	1210 ≥ 4.7μF																																													
	≤ 20%	0805 ≥ 1μF, 1206 ≥ 2.2μF, 1210 ≥ 10μF																																														
Y5V	≥ 50V	≤ 7.5%																																														
		≤ 10%	0805 ≥ 0.47μF, 1206 ≥ 4.7μF																																													
	25V	≤ 7.5%																																														
		≤ 10%	0805 ≥ 0.33μF, 1206 ≥ 1μF, 1210 ≥ 4.7μF																																													
		≤ 15%	1206 ≥ 4.7μF, 1210 ≥ 22μF																																													
	16V (C < 1.0μF)	≤ 10%																																														
	16V (C ≥ 1.0μF)	≤ 12.5%																																														
		≤ 20%	0805 ≥ 3.3μF; 1206 ≥ 10μF; 1210 ≥ 22μF; 1812 ≥ 47μF;																																													
10V	≤ 20%																																															
	I.R.	1GΩ min. or 50Ω *F (Whichever is smaller)																																														

No.	Item	Performance		Test or inspection method																																								
(11)	Humidity load	External appearance	No mechanical damage.		Humidity load: (apply for the product with rated voltage 500V-Max): Apply the rated voltage at temperature 40±2 °C and humidity 90 to 95%RH for 500 +24/ -0 hours. Leave the capacitors in ambient condition for the following time before measurement. Class 1 : 24±2 hours. Class 2 : 48±4 hours. * Charge / discharge current shall. not exceed 50 mA. * Preconditioning : (only for Class 2): Apply the rated DC voltage for 1hour at 150 ±5 °C . Remove and let sit for 48±4 hours at room temperature. Perform initial measurement.																																							
		Cap. change (ΔC/C)	NPO: ± 5% or ±0.5 pFmax. (Whichever is larger) X7R: ±12.5% Y5V: ±30%																																									
		D.F.: NPO: $C \geq 30\text{pF}$: D.F. $\leq \frac{1}{350}$ $10\text{pF} \leq C < 30\text{pF}$: D.F. $\leq \frac{1}{275+2.5*C}$ $C < 10\text{pF}$: D.F. $\leq \frac{1}{200+10*C}$ PS: C: Nominal Capacitance (pF) <table border="1" data-bbox="379 1016 959 1742"> <thead> <tr> <th></th> <th>Rated vol.</th> <th>DF ≤</th> <th>Special chip size and capacitance</th> </tr> </thead> <tbody> <tr> <td rowspan="6">X7R</td> <td rowspan="3">≥ 100V</td> <td>≤ 3%</td> <td></td> </tr> <tr> <td>≤ 6%</td> <td>1206 ≥ 0.47μF</td> </tr> <tr> <td>≤ 7.5%</td> <td>0805 > 0.1μF, 1206 > 1μF</td> </tr> <tr> <td rowspan="3">50V</td> <td>≤ 3%</td> <td></td> </tr> <tr> <td>≤ 6%</td> <td>0805 ≥ 0.18μF, 1206 ≥ 0.47μF</td> </tr> <tr> <td>≤ 10%</td> <td>1210 ≥ 4.7μF</td> </tr> <tr> <td rowspan="7">Y5V</td> <td rowspan="3">≥ 50V</td> <td>≤ 20%</td> <td>0805 ≥ 1μF, 1206 ≥ 2.2μF, 1210 ≥ 10μF</td> </tr> <tr> <td>≤ 7.5%</td> <td></td> </tr> <tr> <td>≤ 10%</td> <td>0805 ≥ 0.33μF, 1206 ≥ 1μF, 1210 ≥ 4.7μF</td> </tr> <tr> <td rowspan="2">25V</td> <td>≤ 15%</td> <td>1206 ≥ 4.7μF, 1210 ≥ 22μF</td> </tr> <tr> <td>≤ 10%</td> <td></td> </tr> <tr> <td>16V (C < 1.0μF)</td> <td>≤ 10%</td> <td></td> </tr> <tr> <td rowspan="2">16V (C ≥ 1.0μF)</td> <td>≤ 12.5%</td> <td></td> </tr> <tr> <td>≤ 20%</td> <td>0805 ≥ 3.3μF; 1206 ≥ 10μF; 1210 ≥ 22μF; 1812 ≥ 47μF;</td> </tr> <tr> <td>10V</td> <td>≤ 20%</td> <td></td> </tr> </tbody> </table>				Rated vol.	DF ≤	Special chip size and capacitance	X7R	≥ 100V	≤ 3%		≤ 6%	1206 ≥ 0.47μF	≤ 7.5%	0805 > 0.1μF, 1206 > 1μF	50V	≤ 3%		≤ 6%	0805 ≥ 0.18μF, 1206 ≥ 0.47μF	≤ 10%	1210 ≥ 4.7μF	Y5V	≥ 50V	≤ 20%	0805 ≥ 1μF, 1206 ≥ 2.2μF, 1210 ≥ 10μF	≤ 7.5%		≤ 10%	0805 ≥ 0.33μF, 1206 ≥ 1μF, 1210 ≥ 4.7μF	25V	≤ 15%	1206 ≥ 4.7μF, 1210 ≥ 22μF	≤ 10%		16V (C < 1.0μF)	≤ 10%		16V (C ≥ 1.0μF)	≤ 12.5%		≤ 20%	0805 ≥ 3.3μF; 1206 ≥ 10μF; 1210 ≥ 22μF; 1812 ≥ 47μF;
	Rated vol.	DF ≤	Special chip size and capacitance																																									
X7R	≥ 100V	≤ 3%																																										
		≤ 6%	1206 ≥ 0.47μF																																									
		≤ 7.5%	0805 > 0.1μF, 1206 > 1μF																																									
	50V	≤ 3%																																										
		≤ 6%	0805 ≥ 0.18μF, 1206 ≥ 0.47μF																																									
		≤ 10%	1210 ≥ 4.7μF																																									
Y5V	≥ 50V	≤ 20%	0805 ≥ 1μF, 1206 ≥ 2.2μF, 1210 ≥ 10μF																																									
		≤ 7.5%																																										
		≤ 10%	0805 ≥ 0.33μF, 1206 ≥ 1μF, 1210 ≥ 4.7μF																																									
	25V	≤ 15%	1206 ≥ 4.7μF, 1210 ≥ 22μF																																									
		≤ 10%																																										
	16V (C < 1.0μF)	≤ 10%																																										
	16V (C ≥ 1.0μF)	≤ 12.5%																																										
≤ 20%		0805 ≥ 3.3μF; 1206 ≥ 10μF; 1210 ≥ 22μF; 1812 ≥ 47μF;																																										
10V	≤ 20%																																											
I.R.	500MΩ min. or 25 Ω *F (Whichever is smaller)																																											

No.	Item	Performance		Test or inspection method																										
(12)	Temperature Load	External appearance	No mechanical damage.		<table border="1"> <thead> <tr> <th>Rated Voltage</th> <th>Tested Voltage</th> </tr> </thead> <tbody> <tr> <td>< 500V</td> <td>2.0Ra</td> </tr> <tr> <td>500V</td> <td>1.5Ra</td> </tr> <tr> <td>≥ 630V</td> <td>1.2Ra</td> </tr> <tr> <td>≥ 1000V</td> <td>1.2Ra</td> </tr> </tbody> </table> <p>PS: The test voltage is 150% of rated voltage for below range.</p> <table border="1"> <thead> <tr> <th>Size</th> <th>Rated voltage</th> <th>Capacitance</th> </tr> </thead> <tbody> <tr> <td>0805</td> <td>50V(X7R)</td> <td>$C \geq 2.2\mu\text{F}$</td> </tr> <tr> <td></td> <td>100V(X7R)</td> <td>$C \geq 0.47\mu\text{F}$</td> </tr> <tr> <td></td> <td>16V(Y5V)</td> <td>$C \geq 0.47\mu\text{F}$</td> </tr> <tr> <td>1206</td> <td>100V(X7R)</td> <td>$C \geq 1.0\mu\text{F}$</td> </tr> </tbody> </table> <p>at maximum operating temperature $\pm 2^\circ\text{C}$ for 1000 + 48 / - 0 hours. Leave the capacitors in ambient condition for the following time before measurement. Class I: 24 ± 2 hours Class II: 48 ± 4 hours</p> <p>* Charge / discharge current shall not exceed 50 mA. * Preconditioning : (only for Class 2): Apply 200% of the rated DC voltage for 1 hour at the maximum operating temperature $\pm 3^\circ\text{C}$. Remove and let sit for 48 ± 4 hours at room temperature. Perform initial measurement.</p>	Rated Voltage	Tested Voltage	< 500V	2.0Ra	500V	1.5Ra	≥ 630V	1.2Ra	≥ 1000V	1.2Ra	Size	Rated voltage	Capacitance	0805	50V(X7R)	$C \geq 2.2\mu\text{F}$		100V(X7R)	$C \geq 0.47\mu\text{F}$		16V(Y5V)	$C \geq 0.47\mu\text{F}$	1206	100V(X7R)	$C \geq 1.0\mu\text{F}$
		Rated Voltage	Tested Voltage																											
		< 500V	2.0Ra																											
		500V	1.5Ra																											
≥ 630V	1.2Ra																													
≥ 1000V	1.2Ra																													
Size	Rated voltage	Capacitance																												
0805	50V(X7R)	$C \geq 2.2\mu\text{F}$																												
	100V(X7R)	$C \geq 0.47\mu\text{F}$																												
	16V(Y5V)	$C \geq 0.47\mu\text{F}$																												
1206	100V(X7R)	$C \geq 1.0\mu\text{F}$																												
Cap. change ($\Delta C/C$)	NPO: $\pm 3\%$ or $\pm 0.3\text{pFmax.}$ (Whichever is larger) X7R: $\geq 10\text{V}$, $\pm 12.5\%$ Y5V: $\geq 10\text{V}$, $\pm 30\%$																													
D.F.:		NPO: $C \geq 30\text{pF}$: D.F. $\leq \frac{1}{350}$ $10\text{pF} \leq C < 30\text{pF}$: D.F. $\leq \frac{1}{275 + 2.5 * C}$ $C < 10\text{pF}$: D.F. $\leq \frac{1}{200 + 10 * C}$ PS: C: Nominal Capacitance (pF)																												
I.R.		$1000\text{M}\Omega$ or $50\Omega * \text{F}$ (Whichever is smaller)																												

No.	Item	Performance		Test or inspection method			
(13)	Temperature cycle	External appearance	No mechanical damage.		The capacitor shall be subject 5 cycles according to four heat treatments listed in the following table. Then Leave the capacitors in ambient condition for the following time before measurement. Class I: 24±2 hours Class II: 48±4 hours		
		Cap. change (ΔC/C)	NPO: ±2.5% or ±0.25pFmax. (Whichever is larger) X7R: ±7.5% Y5V: ±20%				
		D.F.	To meet initial standard value				
		I.R.	10000MΩ min. or 500Ω*F (Whichever is smaller)				
				Step	Temperature (°C)	Duration (min.)	
				1	Min. Operation Temp.±3	30±3	
				2	Room Temp. (25°C)	2 ~ 3	
				3	Max. Operation Temp.±3	30±2	
				4	Room Temp. (25°C)	2 ~ 3	
				*Preconditioning : (only for Class 2): Perform a heat treatment at 150 +0-10°C for one hour and then let sit for 48±4 hours at room			

6. Operating and storage environment:

The insulating coating of capacitors does not form a perfect seal; therefore, do not use or store capacitors in a corrosive atmosphere, especially where chloride gas, sulfide gas, acid, alkali, salt or the like are present. Also avoid exposure to moisture. Before cleaning, bonding or molding this product, verify that these processes do not affect product quality by testing the performance of a cleaned, bonded or molded product in the intended equipment. Store the capacitors where the temperature and relative humidity do not exceed 5 to 40 degrees centigrade and 20 to 70%. Use capacitors within 6 months after delivery.

7. Description:

Radial-Leaded, Epoxy-Dipped Multilayer ceramic capacitors are built by superior moisture and shock resistant Epoxy coating, can be supplied in both bulk or tape package for automatic insertion in printed circuit board. But must to avoid effect of external force when the capacitors are used automatic insertion because the inner chips are very weak and easy broken.

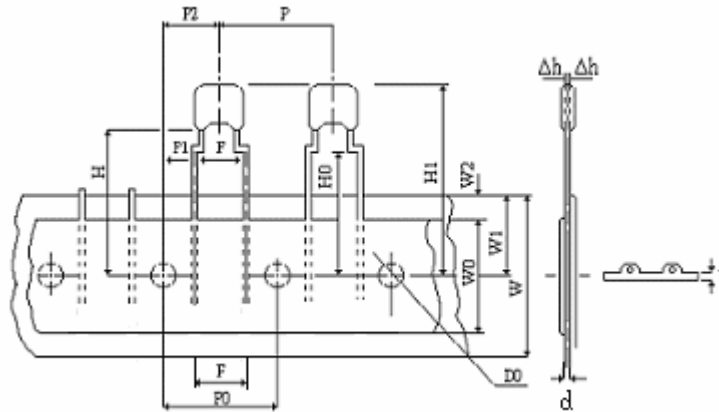
Our RD series capacitors have wide application in computer, data Processor, telecom communication, industrial control, and instrumentation equipment, etc.

(Epoxy coated: Flame resistance for UL94 V-0 Approved)

8. Taping Figure and Specification:

8.1 RD21 Type Taping Figure and Specification

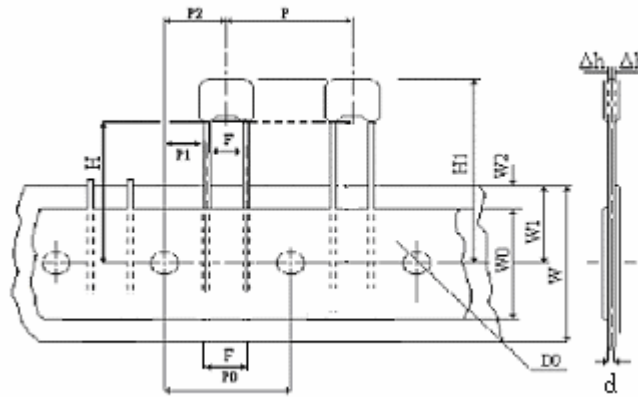
(Unit: mm)



Description	Symbol	Dimension	Remarks
Pitch Of Component	P	12.7±1.0	
Feed Hold Pitch	P0	12.7±0.3	Cumulative Pitch Error : ±1.0 Mm/20 Pitches
Feed Hold Center to Lead	P1	3.85±0.7	
Feed Hold Center to Component Center	P2	6.35±1.3	
Lead diameter	d	0.5±0.05	
Lead To Lead Spacing	F	5.0 ±0.8	To Lead Tip Within Tolerance
Component Alignment, F-R	Δh	2.0 Max	The Alignment From The Center Of The Lead Is±1.0mm
Tape Width	W	18.0+1.0/-0.5	
Adhesive Tape Width	W0	11.0 Min.	
Hole Position	W1	9.0±0.5	
Adhesive Tape Position	W2	3.0 max.	
Height Of Bottom Body From Tape Center	H	18.0+2.0/-0	H+12.5mm≤H1
Lead-Wire Clinch Height	H0	16.0±0.5	6.5≤H0-W1
Component Height	H1	32.25 Max.	
Feed Hole Diameter	D0	4.0±0.2	
Tape Thickness	t	0.6±0.3	

8.2 RD20 Type Taping Figure and Specification

(Unit: mm)

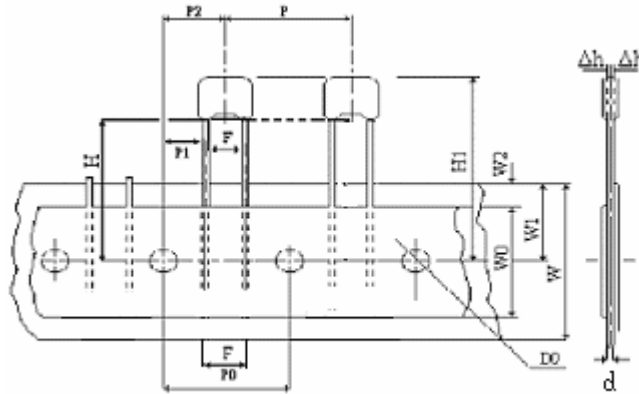


Unit: mm

Description	Symbol	Dimension	Remarks
Pitch Of Component	P	12.7±1.0	
Feed Hold Pitch	P0	12.7±0.3	Cumulative Pitch Error : ±1.0 Mm/20 Pitches
Feed Hold Center to Lead	P1	5.1±0.7	
Feed Hold Center to Component Center	P2	6.35±1.3	
Lead diameter	d	0.5±0.05	
Lead To Lead Spacing	F	2.5 ±0.8	To Lead Tip Within Tolerance
Component Alignment, F-R	Δh	2.0 Max	The Alignment From The Center Of The Lead Is±1.0mm
Tape Width	W	18.0+1.0/-0.5	
Adhesive Tape Width	W0	11.0 Min.	
Hole Position	W1	9.0±0.5	
Adhesive Tape Position	W2	3.0 max.	
Lead-Wire Clinch Height from bottom of capacitor to the hold center	H	18.0±0.5	
Component Height	H1	32.25 Max.	
Feed Hole Diameter	D0	4.0±0.2	
Tape Thickness	t	0.6±0.3	

8.3 RD30 Type Taping Figure and Specification

(Unit: mm)



Unit: mm

Description	Symbol	Dimension	Remarks
Pitch Of Component	P	12.7±1.0	
Feed Hold Pitch	P0	12.7±0.3	Cumulative Pitch Error : ±1.0 Mm/20 Pitches
Feed Hold Center to Lead	P1	3.85±0.7	
Feed Hold Center to Component Center	P2	6.35±1.3	
Lead diameter	d	0.5±0.05	
Lead To Lead Spacing	F	5.0 ±0.8	To Lead Tip Within Tolerance
Component Alignment, F-R	Δh	2.0 Max	The Alignment From The Center Of The Lead Is±1.0mm
Tape Width	W	18.0+1.0/-0.5	
Adhesive Tape Width	W0	11.0 Min.	
Hole Position	W1	9.0±0.5	
Adhesive Tape Position	W2	3.0 max.	
Lead-Wire Clinch Height from bottom of capacitor to the hold center	H	18.0±0.5	
Component Height	H1	32.25 Max.	
Feed Hole Diameter	D0	4.0±0.2	
Tape Thickness	t	0.6±0.3	

9. Packing specification :

9.1 Packing size:

Type	Box	Carton
Bulk	<p>Unit:mm</p>	<p>Unit:mm</p> <p>PF% WV N.W: KG KPCS G.W: KG</p>
Ammo taping	<p>Unit:mm</p>	<p>Unit:mm</p> <p>PF% WV N.W: KG KPCS G.W: KG</p>

9.2 Packing quantity:

Chipsize	Taping type		Bulk type
	Quantity per reel	Quantity per box	Quantity per bag
0805	2,000	2,000	1,000
1206,1210,1808,1812	1,500	1,500	1,000

10. Size code and capacitance (pF) available :

10.1 NPO Dielectric

Dielectric	NPO																											
	Size				1206						1210				1808				1812									
Voltage (VDC)	50	100	200	250	50	100	200	250	500	630	1000	50	100	200	250	500	630	1000	500	630	1000	2000	3000	500	630	1000	2000	3000
1.0pF (010)	B	B	B	B																								
1.2pF (1R2)	B	B	B	B	B	B																						
1.5pF (1R5)	B	B	B	B	B	B	B	B	B	B	B																	
1.8pF (1R8)	B	B	B	B	B	B	B	B	B	B	B								B	B	B	B	B					
2.2pF (2R2)	B	B	B	B	B	B	B	B	B	B	B								B	B	B	B	B					
2.7pF (2R7)	B	B	B	B	B	B	B	B	B	B	B								B	B	B	B	B					
3.3pF (3R3)	B	B	B	B	B	B	B	B	B	B	B								B	B	B	B	B					
3.9pF (3R9)	B	B	B	B	B	B	B	B	B	B	B								B	B	B	B	B					
4.7pF (4R7)	B	B	B	B	B	B	B	B	B	B	B								B	B	B	B	B					
5.6pF (5R6)	B	B	B	B	B	B	B	B	B	B	B								B	B	B	B	B					
6.8pF (6R8)	B	B	B	B	B	B	B	B	B	B	B								B	B	B	B	B					
8.2pF (8R2)	B	B	B	B	B	B	B	B	B	B	B								B	B	B	B	B					
10pF (100)	B	B	B	B	B	B	B	B	B	B	B	B	B	B	B	B	B	B	B	B	B	B	B	B	B	B	B	B
12pF (120)	B	B	B	B	B	B	B	B	B	B	B	B	B	B	B	B	B	B	B	B	B	B	B	B	B	B	B	B
15pF (150)	B	B	B	B	B	B	B	B	B	B	B	B	B	B	B	B	B	B	B	B	B	B	B	B	B	B	B	B
18pF (180)	B	B	B	B	B	B	B	B	B	B	B	B	B	B	B	B	B	B	B	B	B	B	B	B	B	B	B	B
22pF (220)	B	B	B	B	B	B	B	B	B	B	B	B	B	B	B	B	B	B	B	B	B	B	B	B	B	B	B	B
27pF (270)	B	B	B	B	B	B	B	B	B	B	B	B	B	B	B	B	B	B	B	B	B	B	B	B	B	B	B	B
33pF (330)	B	B	B	B	B	B	B	B	B	B	B	B	B	B	B	B	B	B	B	B	B	B	B	B	B	B	B	B
39pF (390)	B	B	B	B	B	B	B	B	B	B	B	B	B	B	B	B	B	B	B	B	B	B	B	B	B	B	B	B
47pF (470)	B	B	B	B	B	B	B	B	B	B	B	B	B	B	B	B	B	B	B	B	B	B	B	B	B	B	B	B
56pF (560)	B	B	B	B	B	B	B	B	B	B	B	B	B	B	B	B	B	B	B	B	B	B	B	B	B	B	B	B
68pF (680)	B	B	B	B	B	B	B	B	B	B	B	B	B	B	B	B	B	B	B	B	B	B	B	B	B	B	B	B
82pF (820)	B	B	B	B	B	B	B	B	B	B	B	B	B	B	B	B	B	B	B	B	B	B	B	B	B	B	B	B
100pF (101)	B	B	B	B	B	B	B	B	B	B	B	B	B	B	B	B	B	B	B	B	B	B	B	B	B	B	B	B
120pF (121)	B	B	B	B	B	B	B	B	B	B	B	B	B	B	B	B	B	B	B	B	B	B	B	B	B	B	B	B
150pF (151)	B	B	B	B	B	B	B	B	B	B	B	B	B	B	B	B	B	B	B	B	B	B	B	B	B	B	B	B
180pF (181)	B	B	B	B	B	B	B	B	B	B	B	B	B	B	B	B	B	B	B	B	B	B	B	B	B	B	B	B
220pF (221)	B	B	B	B	B	B	B	B	B	B	B	B	B	B	B	B	B	B	B	B	B	B	B	B	B	B	B	B
270pF (271)	B	B	B	B	B	B	B	B	B	B	B	B	B	B	B	B	B	B	B	B	B	B	B	B	B	B	B	B
330pF (331)	B	B	B	B	B	B	B	B	B	B	B	B	B	B	B	B	B	B	B	B	B	B	B	B	B	B	B	B
390pF (391)	B	B	B	B	B	B	B	B	B	B	B	B	B	B	B	B	B	B	B	B	B	B	B	B	B	B	B	B
470pF (471)	B	B	B	B	B	B	B	B	B	B	B	B	B	B	B	B	B	B	B	B	B	B	B	B	B	B	B	B
560pF (561)	B	B	B	B	B	B	B	B	B	B	B	B	B	B	B	B	B	B	B	B	B	B	B	B	B	B	B	B
680pF (681)	B	B	B	B	B	B	B	B	B	B	B	B	B	B	B	B	B	B	B	B	B	B	B	B	B	B	B	B
820pF (821)	B	B	B	B	B	B	B	B	B	B	B	B	B	B	B	B	B	B	B	B	B	B	B	B	B	B	B	B
1000pF (102)	B	B	B	B	B	B	B	B	B	B	B	B	B	B	B	B	B	B	B	B	B	B	B	B	B	B	B	B
1200pF (122)	B	B	B	B	B	B	B	B	B	B	B	B	B	B	B	B	B	B	B	B	B	B	B	B	B	B	B	B
1500pF (152)	B	B	B	B	B	B	B	B	B	B	B	B	B	B	B	B	B	B	B	B	B	B	B	B	B	B	B	B
1800pF (182)	B	B	B	B	B	B	B	B	B	B	B	B	B	B	B	B	B	B	B	B	B	B	B	B	B	B	B	B
2200pF (222)	B	B	B	B	B	B	B	B	B	B	B	B	B	B	B	B	B	B	B	B	B	B	B	B	B	B	B	B
2700pF (272)	B	B			B	B	B	B											B	B								
3300pF (332)	B	B			B	B	B	B											B	B								
3900pF (392)	B	B			B	B	B	B											B	B								
4700pF (472)	B	B			B	B	B	B											B	B								
5600pF (562)	B	B			B	B													B	B								
6800pF (682)	B	B			B	B													B	B								
8200pF (822)	B				B	B													B	B								
0.010uF (103)	B				B	B													B	B								
0.012uF (123)	B				B	B													B	B								
0.015uF (153)					B	B													B	B								
0.018uF (183)	B				B	B																						
0.022uF (223)	B				B	B																						
0.027uF (273)					B																							
0.033uF (333)					B																							
0.039uF (393)					B																							
0.047uF (473)					B																							
0.056uF (563)					B																							
0.068uF (683)					B																							
0.082uF (823)					B																							
0.1uF (104)					B																							

- ☆ The letter in cell is expressed the symbol of product terminations. B: (Cu/Ni/Sn)
- ☆ RD30 type can use Mlcc size 1808 and 1812, RD21 type can use Mlcc size 0805 and 1206, but RD20 type can only use Mlcc size 0805.

10.2 X7R Dielectric

Dielectric	X7R																											
	0805				1206						1210						1808				1812							
Size	50	100	200	250	50	100	200	250	500	630	1000	50	100	200	250	500	630	1000	500	630	1000	2000	3000	500	630	1000	2000	3000
Voltage (VDC)	50	100	200	250	50	100	200	250	500	630	1000	50	100	200	250	500	630	1000	500	630	1000	2000	3000	500	630	1000	2000	3000
100pF (101)	B	B	B	B																								
120pF (121)	B	B	B	B																								
150pF (151)	B	B	B	B	B	B	B	B	B	B	B								B	B	B	B	B					
180pF (181)	B	B	B	B	B	B	B	B	B	B	B								B	B	B	B	B					
220pF (221)	B	B	B	B	B	B	B	B	B	B	B								B	B	B	B	B					
270pF (271)	B	B	B	B	B	B	B	B	B	B	B								B	B	B	B	B			B	B	
330pF (331)	B	B	B	B	B	B	B	B	B	B	B								B	B	B	B	B			B	B	
390pF (391)	B	B	B	B	B	B	B	B	B	B	B								B	B	B	B	B			B	B	
470pF (471)	B	B	B	B	B	B	B	B	B	B	B								B	B	B	B	B			B	B	
560pF (561)	B	B	B	B	B	B	B	B	B	B	B								B	B	B	B	B			B	B	
680pF (681)	B	B	B	B	B	B	B	B	B	B	B								B	B	B	B	B			B	B	B
820pF (821)	B	B	B	B	B	B	B	B	B	B	B								B	B	B	B	B			B	B	B
1000pF (102)	B	B	B	B	B	B	B	B	B	B	B	B	B	B	B	B	B	B	B	B	B	B	B	B	B	B	B	B
1200pF (122)	B	B	B	B	B	B	B	B	B	B	B	B	B	B	B	B	B	B	B	B	B	B	B	B	B	B	B	B
1500pF (152)	B	B	B	B	B	B	B	B	B	B	B	B	B	B	B	B	B	B	B	B	B	B	B	B	B	B	B	B
1800pF (182)	B	B	B	B	B	B	B	B	B	B	B	B	B	B	B	B	B	B	B	B	B	B	B	B	B	B	B	B
2200pF (222)	B	B	B	B	B	B	B	B	B	B	B	B	B	B	B	B	B	B	B	B	B	B	B	B	B	B	B	B
2700pF (272)	B	B	B	B	B	B	B	B	B	B	B	B	B	B	B	B	B	B	B	B	B	B	B	B	B	B	B	B
3300pF (332)	B	B	B	B	B	B	B	B	B	B	B	B	B	B	B	B	B	B	B	B	B	B	B	B	B	B	B	B
3900pF (392)	B	B	B	B	B	B	B	B	B	B	B	B	B	B	B	B	B	B	B	B	B	B	B	B	B	B	B	B
4700pF (472)	B	B	B	B	B	B	B	B	B	B	B	B	B	B	B	B	B	B	B	B	B	B	B	B	B	B	B	B
5600pF (562)	B	B	B	B	B	B	B	B	B	B	B	B	B	B	B	B	B	B	B	B	B	B	B	B	B	B	B	B
6800pF (682)	B	B	B	B	B	B	B	B	B	B	B	B	B	B	B	B	B	B	B	B	B	B	B	B	B	B	B	B
8200pF (822)	B	B	B	B	B	B	B	B	B	B	B	B	B	B	B	B	B	B	B	B	B	B	B	B	B	B	B	B
0.01uF (103)	B	B	B	B	B	B	B	B	B	B	B	B	B	B	B	B	B	B	B	B	B	B	B	B	B	B	B	B
0.012uF (123)	B	B	B	B	B	B	B	B	B	B	B	B	B	B	B	B	B	B	B	B	B	B	B	B	B	B	B	B
0.015uF (153)	B	B	B	B	B	B	B	B	B	B	B	B	B	B	B	B	B	B	B	B	B	B	B	B	B	B	B	B
0.018uF (183)	B	B	B	B	B	B	B	B	B	B	B	B	B	B	B	B	B	B	B	B	B	B	B	B	B	B	B	B
0.022uF (223)	B	B	B	B	B	B	B	B	B	B	B	B	B	B	B	B	B	B	B	B	B	B	B	B	B	B	B	B
0.027uF (273)	B	B	B	B	B	B	B	B	B	B	B	B	B	B	B	B	B	B	B	B	B	B	B	B	B	B	B	B
0.033uF (333)	B	B	B	B	B	B	B	B	B	B	B	B	B	B	B	B	B	B	B	B	B	B	B	B	B	B	B	B
0.039uF (393)	B	B	B	B	B	B	B	B	B	B	B	B	B	B	B	B	B	B	B	B	B	B	B	B	B	B	B	B
0.047uF (473)	B	B	B	B	B	B	B	B	B	B	B	B	B	B	B	B	B	B	B	B	B	B	B	B	B	B	B	B
0.056uF (563)	B	B	B	B	B	B	B	B	B	B	B	B	B	B	B	B	B	B	B	B	B	B	B	B	B	B	B	B
0.068uF (683)	B	B	B	B	B	B	B	B	B	B	B	B	B	B	B	B	B	B	B	B	B	B	B	B	B	B	B	B
0.082uF (823)	B	B	B	B	B	B	B	B	B	B	B	B	B	B	B	B	B	B	B	B	B	B	B	B	B	B	B	B
0.1uF (104)	B	B	B		B	B	B	B				B	B	B	B	B	B							B	B			
0.12uF (124)	B				B	B						B	B	B	B									B	B			
0.15uF (154)	B				B	B						B	B	B	B									B	B			
0.18uF (184)	B				B	B						B	B	B	B									B	B			
0.22uF (224)	B	B			B	B						B	B	B	B									B	B			
0.27uF (274)	B				B	B						B	B	B	B									B	B			
0.33uF (334)	B				B	B						B	B	B	B									B	B			
0.39uF (394)	B				B	B						B	B	B	B									B	B			
0.47uF (474)	B	B			B	B						B	B	B	B									B	B			
0.56uF (564)					B	B						B	B											B	B			
0.68uF (684)					B	B						B	B											B	B			
0.82uF (824)					B	B						B	B											B	B			
1.0uF (105)	B				B	B						B	B											B	B			
1.5uF (155)												B	B											B	B			
2.2uF (225)	B				B	B						B	B											B	B			
4.7uF (475)					B							B												B				

- ☆ The letter in cell is expressed the symbol of product terminations. B: (Cu/Ni/Sn)
- ☆ RD30 type can use Mlcc size 1808 and 1812, RD21 type can use Mlcc size 0805 and 1206, but RD20 type can only use Mlcc size 0805.

10.3 Y5V Dielectric

Dielectric		Y5V																													
Size		0805						1206						1210						1812											
Voltage (VDC)		10	16	25	50	100	200	250	10	16	25	50	100	200	250	10	16	25	50	100	200	250	50	100	200	250					
Capacitance	0.01uF (103)	B	B	B	B	B	B	B	B	B	B	B	B	B	B						B	B	B					B	B	B	
	0.015uF (153)	B	B	B	B	B	B	B	B	B	B	B	B	B	B						B	B	B					B	B	B	
	0.022uF (223)	B	B	B	B	B	B	B	B	B	B	B	B	B	B						B	B	B					B	B	B	
	0.033uF (333)	B	B	B	B	B	B	B	B	B	B	B	B	B	B						B	B	B					B	B	B	
	0.047uF (473)	B	B	B	B	B	B	B	B	B	B	B	B	B	B						B	B	B					B	B	B	
	0.068uF (683)	B	B	B	B	B	B	B	B	B	B	B	B	B	B						B	B	B					B	B	B	
	0.1uF (104)	B	B	B	B	B			B	B	B	B	B	B	B	B	B	B	B	B	B	B	B	B	B	B	B	B	B	B	
	0.15uF (154)	B	B	B	B				B	B	B	B	B	B	B	B	B	B	B	B	B	B	B	B	B	B	B	B	B	B	
	0.22uF (224)	B	B	B	B				B	B	B	B	B	B	B						B	B	B	B	B	B	B	B	B	B	B
	0.33uF (334)	B	B	B	B				B	B	B	B				B	B	B	B	B	B			B	B	B	B	B	B	B	
	0.47uF (474)	B	B	B	B				B	B	B	B				B	B	B	B	B	B			B	B	B	B	B	B	B	
	0.68uF (684)	B	B	B	B				B	B	B	B				B	B	B	B	B	B			B	B	B	B	B	B	B	
	1.0uF (105)	B	B	B	B				B	B	B	B				B	B	B	B	B			B	B			B	B			
	1.5uF (155)	B	B						B	B	B					B	B	B						B				B			
	2.2uF (225)	B	B	B					B	B	B	B				B	B	B	B	B			B				B				
	3.3uF (335)	B	B						B	B	B					B	B	B						B				B			
	4.7uF (475)	B	B	B					B	B	B					B	B	B	B	B			B				B				
	6.8uF (685)	B							B	B						B	B	B	B	B			B				B				
10uF (106)	B	B						B	B	B					B	B	B	B	B			B				B					
22uF (226)	B							B																							

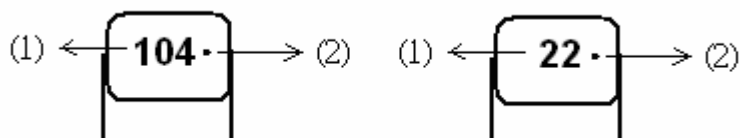
- ☆ The letter in cell is expressed the symbol of product terminations. B: (Cu/Ni/Sn)
- ☆ RD30 type can use Mlcc size 1808 and 1812, RD21 type can use Mlcc size 0805 and 1206, but RD20 type can only use Mlcc size 0805.

11. Marking:

Rated voltage (VDC)	10	16	25	50	100	200	250	500	630	1000	2000	3000
3-figure code Marking	$\overline{104}$	$\overline{104}$	$\overline{\overline{104}}$	104	$\underline{104}$	$\underline{104}$	$\underline{104}$	$\underline{104}$	$\overline{104}$	~ 104	~ 104	$\wedge 104$
2-figure code Marking	$\overline{22}$	$\overline{22}$	$\overline{\overline{22}}$	22	$\underline{22}$	$\underline{22}$	$\underline{22}$	$\underline{22}$	$\overline{22}$	~ 22	~ 22	$\wedge 22$

3-figure code Marking

2-figure code Marking



(1) Rated capacitance:

Two significant digits followed by no. of zeros. And R is in place of decimal point.

ex.: 0R5=0.5pF 1R0=1.0pF 104=10x10⁴ =100nF

(2) Halogen and Pb free: There is a “.” beside the capacitance code when the coating resin is

Halogen and Pb free Epoxy.